

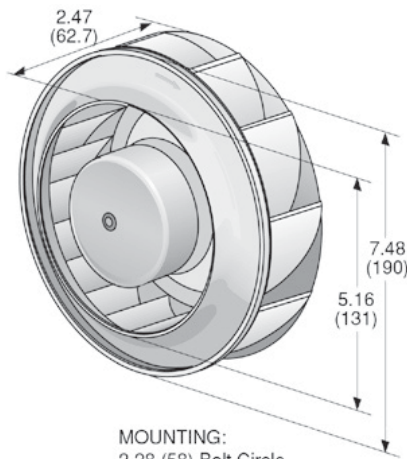


R2E190AO Series Motorized Impeller

Ø 190mm Backward Curved

- Backward curved centrifugal fans feature extremely long blades. These impellers are highly resistant to dirt and dust. Their hydraulic efficiency is very high.
- Impeller completely made of plastic PA 6.
- Maintenance-free ball bearings.
- Insulation class "B". Cable exit: variable. Direction of rotation is CW as seen from intake side.
- UL, CSA, VDE approvals on some models, please contact application engineering.
- Recommended inlet ring: 9576-2-4013.

Part Number	Curve	CFM @ 0	VAC	Hertz	Power (W)	dBA	Max Amb. Temp. C	Bearing Type	Features	Capacitor (µF)	Speed (RPM)
R2E190-AO50-16	1	365	115	50/60	75	64	55	Ball	Leads	8	2700
R2E190-AO26-25	1	365	230	60	75	64	55	Ball	Leads	2	2700



MOUNTING:
 2.28 (58) Bolt Circle
 4 x 90° M4 Holes
 NOTE: Inlet ring inserts into impeller opening
 INLET RING Part Number: 09576-2-4013

